

EZ Whole House Water Filter



APEX WATER FILTERS, INC.

125 W Victoria Street Gardena CA 90248 U.S.A.

Phone (310) 329-1945 Fax (310) 538-0874 Email support@apexwaterfilters.com

www.apexwaterfilters.com

Installation Instructions

Package Contents



Parts & Hardware Included

- A** Valve-in-Head Filter System
- B** Black O-Ring
- C** Filter Cartridge
- D** Filter Housing Wrench

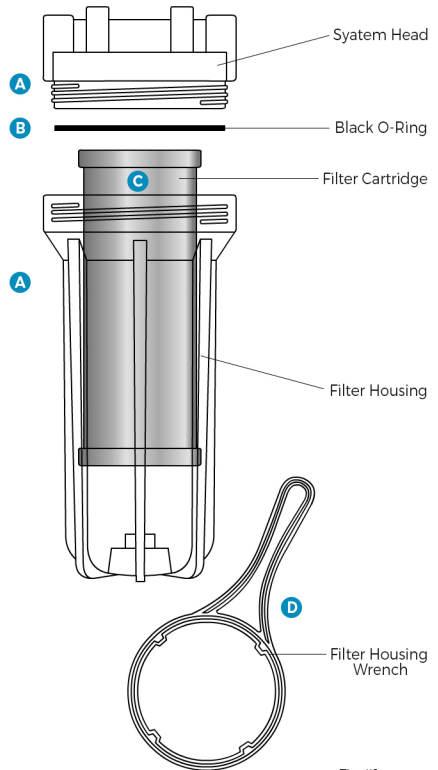


Tools & Materials Required

- Compression Fittings/Valves (not included)
- Two Adjustable Wrenches
- Pipe Wrench
- Pipe Cutter or Hacksaw
- Pan or Bucket
- File
- Pencil
- Plumber's Tape
- Silicone Grease

Optional Materials

- Mounting Bracket, Bolts & Screws
- Grounding Kit



Information & Assistance



www.apexwaterfilters.com



1 (310) 329-1945

For Service Requests & Product Information

Hours of Operation:

Mon-Fri 8.00 am - 4.00 pm

Be sure to run only cold water through the unit.

WARNING!

Do not use this filter for water that is microbiologically unsafe or of unknown quality.

CAUTION

Protect the filter from direct sunlight and freezing temperatures, which can cause the filter housing to crack and leak water

Before Installation

- Measure the diameter of the existing pipe to determine what size fittings and/or valves (not included) will be required.

Step 1

Turn Off the Main Water Supply Line

CAUTION

The Filter System must be installed after the water meter or pressure tank.

- 1 Turn off the main water supply line or the cold-water shutoff valve underneath the sink (if installing under sink).
- 2 Release water pressure in the line by turning on all faucets connected to the line.

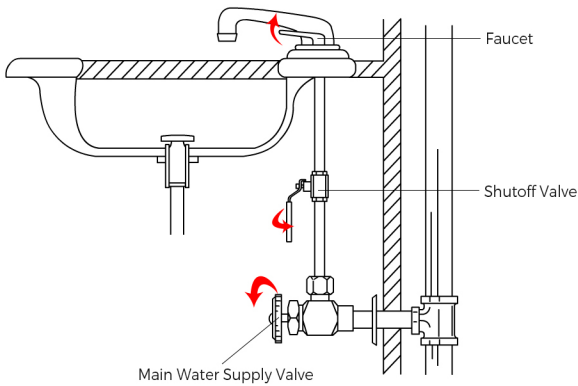


Fig #2
Turn off the main water

Step 2

Choosing Proper Fittings

Materials Needed For 3/4" Diameter Housing Inlet/Outlet Ports

Type of plumbing in your house:		3/4" Copper Pipe	1" Copper Pipe	3/4" PVC Pipe	1" PVC Pipe	3/4" PEX	1" PEX
Quantity	Fitting Method	Solder according to local plumbing	No individual fitting - it will require more than just 1. Solder according to local plumbing codes	Use PVC Primer & PVC Pipe Cement per your local plumbing codes	Use PVC Primer & PVC Pipe Cement per your local plumbing codes	You may need to consult your local plumber - requires special tools	You may need to consult your local plumber - requires special tools
2	Std Male Adapter	3/4" Male Adapters	1" x 3/4" reducing coupling & 3/4" male adapter & 3/4" x 2" copper nipple	3/4" MPT x 3/4" tube male adapter PVC Slip Type	3/4" MPT x 3/4" tube male adapter PVC Slip Type	3/4" MPT x 3/4" CTS QC Adapter	3/4" MPT x 1" CTS QC Adapter
2	Compression	3/4" OD tube x 3/4" MIP Compressions Male Adapter	Compression not readily available for 1" copper pipe	n/a	n/a		
2	Union	3/4" Copper Union & 3/4" Male Adapter & 3/4" x 2" copper nipple	1" Copper Union & 1" x 3/4" reducing coupling & 3/4" male adapter & (2) 3/4" x 2" copper nipple	3/4" PVC Union & 3/4" MPT x 3/4" tube male adapter PVC Slip Type & 3/4" x 2" PVC nipple	1" PVC Union & 3/4" MPT x 1" tube male adapter PVC Slip Type & 1" x 2" PVC nipple		

Note: Consult a professional plumber for galvanized piping

Step 3

Choosing Proper Fittings

- Dry assemble the complete system (according to the configuration chosen), including all fittings and valves.
OPTIONAL: If using a mounting bracket (not included), position it on the Filter System Head in alignment with the inlet and outlet ports.

Step 4

Mark Measurements and Cut the Plumbing Pipe

⚠ CAUTION

Please wear safety glasses to protect eyes when cutting.

- 1 Mark the section of the plumbing pipe that will need to be removed to allow for the configured system. (Fig #3)
- 2 Using a pipe cutter or hacksaw, cut the marked section from the plumbing pipe. (Fig #4)
- 3 Remove any burrs or debris from the cut edges with a file.

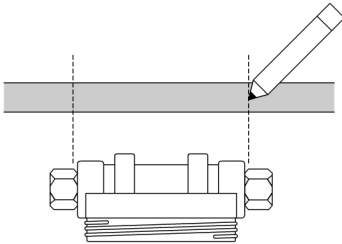


Fig #3

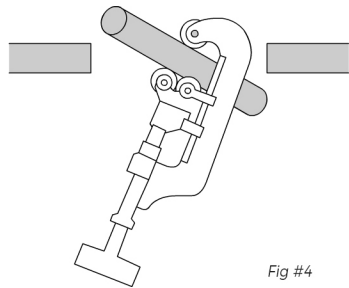


Fig #4

Step 5

Hang the Filter System Head

- 1 Align the System Head **A** on the pipes so that the inlet and outlet are in the correct locations. The "in" port on the Filter System should be facing the incoming water supply. (Fig #5)
- 2 Allow the System Head to temporarily hang between the two cut plumbing pipes. (Fig #6)
- 3 Apply plumber's tape or appropriate sealant to the fittings and lines, according to your system configuration.
- 4 Make all connections and tighten fittings.
NOTE: Keep the Filter System in an upright position.

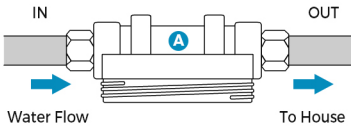


Fig #5

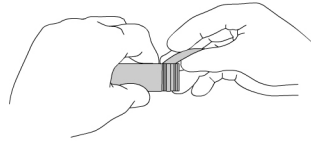
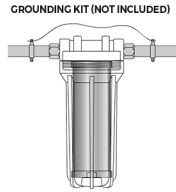


Fig #6

CAUTION

A grounding kit (not included) must be installed on water pipes if they are used to ground electrical systems, appliances or phones.



Step 6

Install the Filter Housing

- 1 Insert the Filter Cartridge **C** over standpipe in the bottom of the Filter Housing **A**.
- 2 Screw the Filter Housing back onto the System Head and hand-tighten. Using the Filter Housing Wrench **D**, tighten 1/4 turn.
NOTE: Do not over tighten.

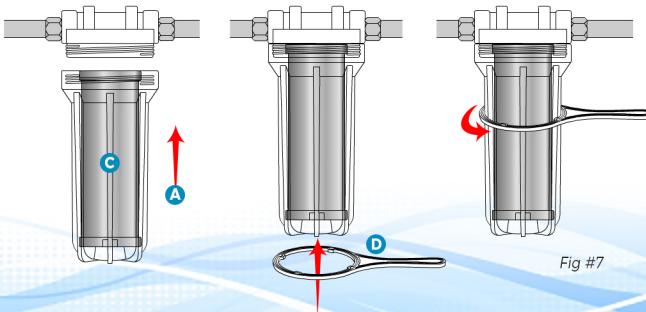


Fig #7

Step 7

Test the Filter System for Proper Operation

- 1 Turn on the water supply.
- 2 Slowly turn the valve on the System Head to the "FILTER" position by rotating it clockwise until it stops. The red indicator on the valve should line up with "FILTER" written on the system head.
- 3 Turn on the nearest faucet and flush the Filter System for 40 minutes.

If there are leaks between the head and housing of the Filter System:

- Unscrew and remove the sump part from the head part using the Filter Housing Wrench D.
NOTE: Use a pan or bucket to catch any water in the housing.
- Remove the Black O-Ring B and inspect. Clean and lubricate with silicone grease.
- Clean the grooves in the top of the Filter Housing where the O-Ring sits.
- Place the clean, lubricated O-Ring back in the groove.
- Screw the Filter Housing back onto the System Head and hand-tighten. Using the Filter Housing Wrench, tighten 1/4 turn.
NOTE: Keep the Filter System in an upright position.

If there are leaks on the inlet and/or outlet connections:

- Turn off the main water supply to your home.
- Purge all water from the plumbing lines by turning on all faucets in your home and draining completely.
- Tighten all fittings.
- Turn on the main water supply and turn the valve lever on the System Head to the "ON" position and inspect for leaks.
- If leaks continue, disassemble the configured system, reapply plumber's tape or sealant, and reinstall the Filter System.

➤ If leaks continue, turn off the water supply and call Customer Service or consult your local plumber.

Filter Cartridge Replacement

Step 1

- 1 Use the Filter Housing Wrench D to unscrew the Filter Housing.

NOTE: Use a pan or bucket to catch any water in the Filter Housing.

- 2 Pour out the water in the Filter Housing and remove the used Filter Cartridge B.

Step 2

NOTE: Use a pan or bucket to catch any water in the Filter Housing.

- 1 Rinse out the bottom of the Filter Housing.
- 2 Remove the O-Ring B in the top of the Filter Housing and wipe clean. Use silicone grease to lubricate the O-Ring.

- 3 Place the O-Ring back in the groove of the Filter Housing.

NOTE: Make sure that the O-Ring is seated properly in the groove to ensure a good seal.

Step 3

- 1 Insert the new filter cartridge over the standpipe in the bottom of the Filter Housing.
- 2 Screw the Filter Housing back onto the System Head and hand-tighten. Using the Filter Housing Wrench, tighten 1/4 turn.
NOTE: Do not over tighten.

- 3 Check for any leaks before proceeding.
- 4 Turn on the nearest faucet and flush the Filter System for 40 minutes.

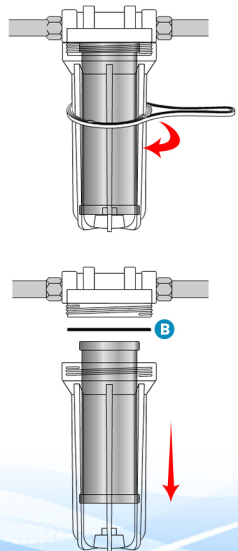


Fig #8

