



Owners Manual

4 Stage Undercounter Ultra Filtration System



EXPRT APEX WATER FILTERS, INC.

125 W. Victoria St. Gardena, CA 90248 USA
Phone: (310) 329-1945 Email: sales@apexwaterfilters.com

www.apexwaterfilters.com

Inspect the System before Installation:

Please inspect the System and all the connection fittings carefully, and make sure there is no damage during the shipping. If you find and damaged or broken part, please DO NOT proceed with the installation, and contact us for a replacement, broken part or assistance via **(310) 329 1945**.

General Installation and Maintenance Requirements:

- Please make sure that the installation complies with State and local laws and regulations.
- Do not use with the water that is microbiologically unsafe or of unknown quality without adequate disinfection before or after system.
- System must be installed indoor.
- It is recommended that installation of the water filter be done by a professional plumber.



Important !

It is recommended to change the stage 1-3 filters at least every 6-12 months and the stage 4 filter every 10-12 months. It is advised to change the filters on time to avoid any damages to the system. Lifetime of the filters may change depending on the quality of the feed water and also the usage. It is advised to use APEX EXPRT replacement filters. Using a "non-APEX EXPRT" and poor quality filters may clog the system.

Visit us on www.apexwaterfilters.com or call us at **(310) 329 1945**.

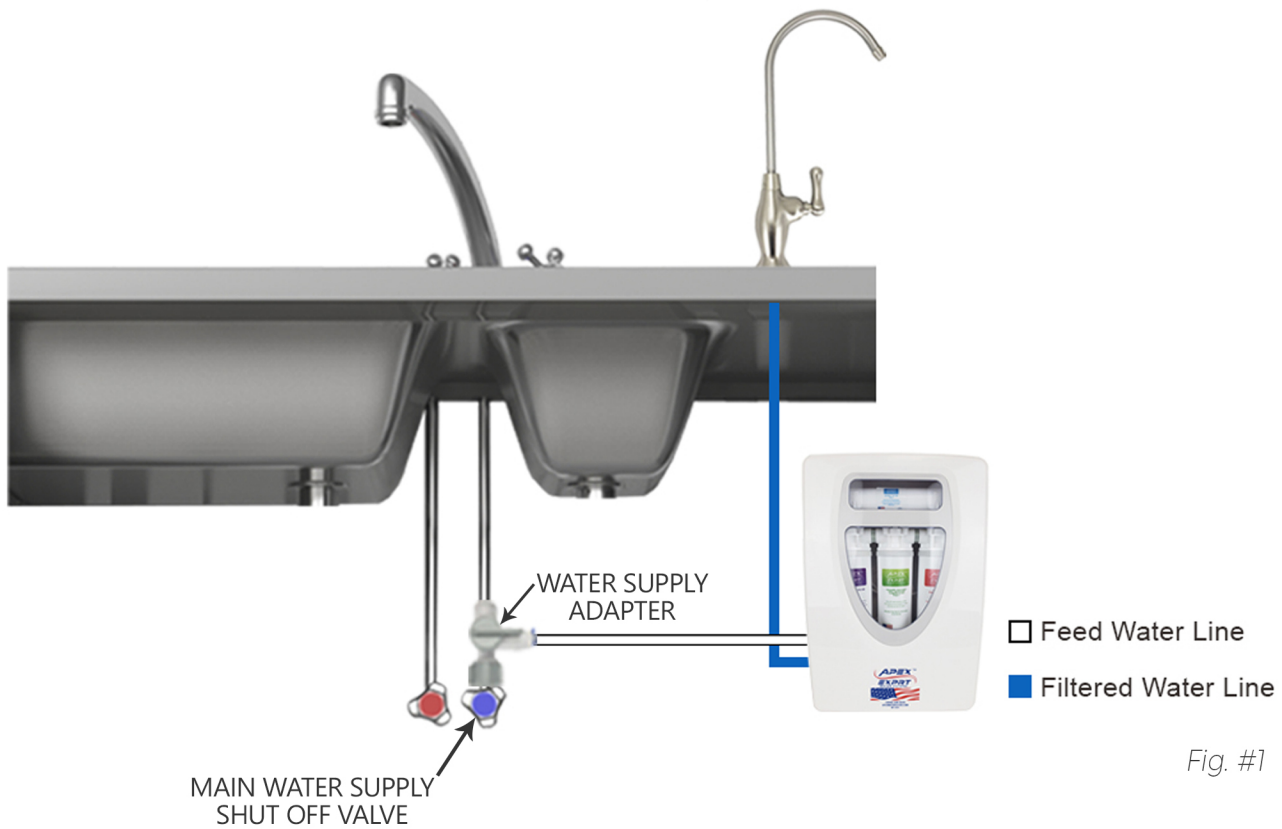


Fig. #1

INSTALLATION INSTRUCTIONS

TAPPING INTO THE COLD WATER LINE

NOTE: The drinking water system must be connected to the COLD water supply only.

- 1) Turn off the cold water supply to the sink faucet by locating the

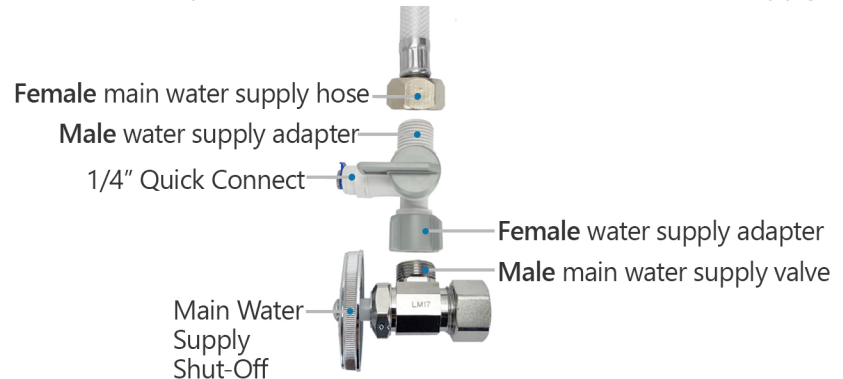
Round or oblong handle on the right side of the sink cabinet and Turning clockwise until the water supply is off.

NOTE: If the cold water shut-off valve fails to turn off the water, the house water supply can be turned off at the main water supply.



Fig. #2

- 2) Install the **water supply adapter** to the main water supply valve of the cold water line.
- 3) Unscrew the compression nut on the main water supply valve and screw in the **water supply adapter**. Connect the female end of the **water supply adapter** to the male end of the main water supply valve. Connect male end of the **water supply adapter** to the female end of the main water supply hose.
- 4) Connect the white tubing to the $\frac{1}{4}$ " quick connect end of the **water supply adapter**. Turn the gray handle on the **water supply adapter** until the handle is parallel to the $\frac{1}{4}$ " quick connect end. Turn on the main water supply for the cold water line and check for any leaks.



DRILLING THE HOLE FOR THE FAUCET

NOTE: Safety glasses should be worn to protect your eyes while drilling the faucet hole.

- 1) For best results, a $\frac{1}{2}$ " carbide-tipped drill bit should be used to drill a hole into your sink for the auxiliary faucet.
- 2) Carefully select the faucet location making sure it will have a neat water fall pattern and that the faucet stud will be accessible from below once the hole is completed.
- 3) For Porcelain Sink: Before starting the drill motor, apply firm downward pressure on the bit until a crunching occurs. This will help keep the drill bit from moving.
- 4) For Stainless Steel Sink: Before using a $\frac{1}{2}$ " carbide drill bit, an indent should be made with a center punch to keep the drill bit from moving. A small pilot hole will also aid the $\frac{1}{2}$ " drill bit.
- 5) For best results, keep steady firm pressure during the start of the hole.
- 6) Once the hole is complete, clean the area of metal chips and roughness around the hole. Metal chips will stain Porcelain.

MOUNTING THE FAUCET

Your unit comes complete with along reach faucet.

NOTE: Air gap option installation instructions are available uponrequest. The following instructions is for non-air gap option.

- 1) Slide chrome cover plate and rubber gasket onto stem of faucet and place faucet onto sink with the stem going through the hole.
- 2) Place metal washer and lock washer over threaded stem of faucet and tighten nut from under the counter surface to lock the faucet into place. **DO NOT OVER TIGHTEN.**

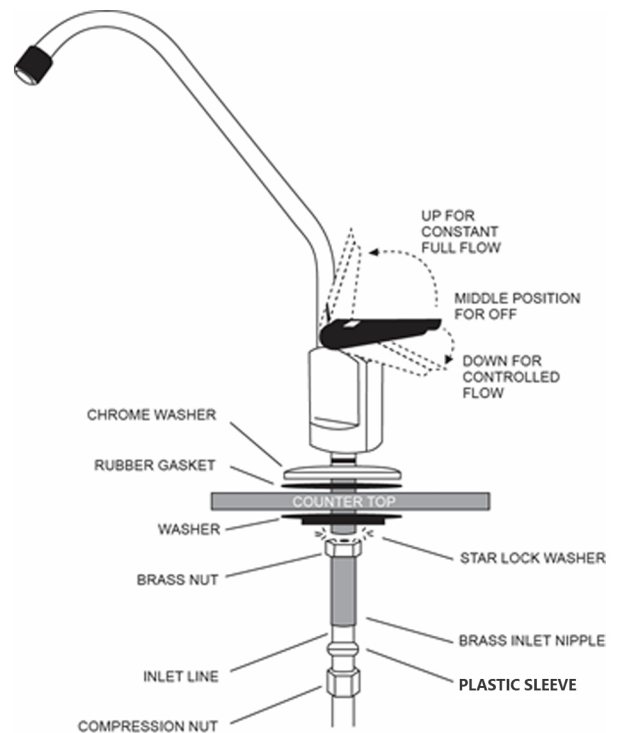


Fig. #3

- 3) Connect the blue tube to the faucet stem under the counter and tighten.

NOTE: Use a brass insert and plastic ferrule when connecting the blue tube to the faucet.

(Fig. # 3).

POSITIONING THE SYSTEM

The head assembly will stand up in the sink cabinet or can be hung on screws provided.

CONNECTING THE SYSTEM

- 1) To connect the blue tubing to the faucet stem, slide the compression nut onto the blue tubing, then slide the white plastic sleeve onto the tubing with the beveled end towards the end of the tubing, insert the plastic or brass insert into the tubing. Then slide the compression nut up to the faucet stem and tighten with a wrench. **DO NOT OVER TIGHTEN.**

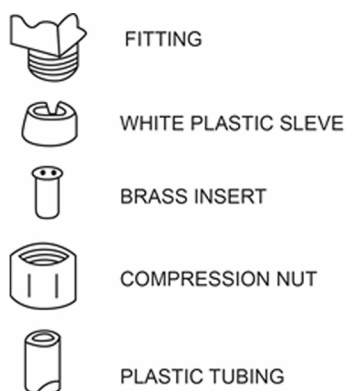


Fig. #7

NOTE: Do not use brass sleeves on plastic tubing, use only plastic sleeves on plastic tubing.

Use the color coded tubing to make the following connections:

- The white tubing connects to the water supply adapter and to the INLET of the system.
- The blue tubing connects the faucet to the OUTLET of the system.

START-UP PROCEDURE

- 1) Check to see all connections are made.
- 2) Make sure the pre-filter cartridges are secure.
- 3) Slowly turn on the water by turning the handle on the water supply adapter.
- 4) The valve on the water supply adapter should be parallel to the ¼" tube connection.
- 5) Leave the system running for about 5-10 minutes. This will allow the system to flush and get rid of any loose particles.
- 6) Inspect the system for leaks.

If you have any difficulties with the installation or require additional information on your unit, please contact us.

We thank you for purchasing our under counter system. In order to maintain high quality water, it is important that scheduled maintenance be followed.

RECOMMENDED SYSTEM MAINTENANCE

To properly maintain your EXPRT drinking water system, please use only genuine EXPRT replacement filters found on www.apexwaterfilters.com or call us at (310)329-1945

- 1) **The Sediment Pre-Filter (Model # RF-2034-1):** The pre-filter protects the system from sediments like sand, dirt, rust, scale particles and should be maintained regularly. The life of the sediment filter will depend on the quality of your water supply and should be checked at 3 month intervals until a filter life is established (**average life of 6-12 months**).
- 2) **GAC and Carbon Block (Model # RF-2032-2 & RF-2034-3):** Designed to remove chlorine from the water supply. As well as organic and inorganic substances before entering the Ultra Filter (**average life of 6-12 months**).
- 3) **Ultra-Filter (Model # RF-2034-4):** Ultra Filter (UF) is made of hollow fibers with a pore size of 0.1 micron. The Ultra Filter is effective for removing bacteria such as E. Coli, Bacillary Dysentery, Salmonella Cholera Bacteria and Tubercle Bacillus.

CHANGING THE PRE SEDIMENT, GAC, AND CARBON BLOCK FILTERS

- 1) Shut off the feed water to the system by turning the water supply adapter until the gray handle is perpendicular to the ¼" quick connect tube connection.
- 2) Open the system's Faucet to relieve any pressure in the filters.
- 3) Remove the two tubes on the side (In and Out) by pushing down the dark gray ring around the connection and pulling out the tube.
- 4) Open the system's protective cover by pushing in the two release buttons on the side of the system while pulling the cover forward.
- 5) Remove the existing filter cartridges by twisting left.
- 7) Connect the new filter cartridges by twisting right.
- 8) Attach protective cover to the system again by placing the cover on the front and gently pushing down. *(Make sure the two release tabs on the side of the cover line up with the holes on the back cover)*
- 7) Turn on the water supply adapter by turning the gray until it is parallel to the ¼" quick connect tube connection.

TROUBLESHOOTING

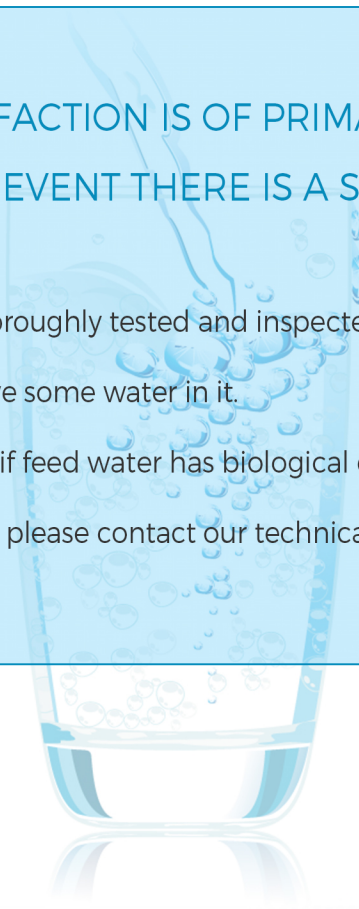
LEAKS

- 1) Filter sump: The O-ring in the sump may not be making firm contact, have dirt or hair on it or be stretched. Clean or replace O-ring and tighten sump to make firm contact with cap.
- 2) Fitting Connection: Compression - Check that the fitting is tightened with all parts in proper place (refer to Fig. #7).

CUSTOMER SATISFACTION IS OF PRIMARY CONCERN,
PLEASE CALL IN THE EVENT THERE IS A SERVICE PROBLEM.

Notice: Your system has been thoroughly tested and inspected for production, and leaks at our factory. Therefore, it might have some water in it.

Warning: Do not use this system if feed water has biological contamination or of unknown source. For operating parameters, please contact our technical support department.



Owners Manual

